

PAYA LEBAR METHODIST GIRLS' SCHOOL (PRIMARY)

SEMESTRAL ASSESSMENT 1 2009

PRIMARY TWO

MATHEMATICS

1 hour – Paper 1A

1 hour – Paper 1B

Name: _____ ()

Class: Primary 2 _____

Date: 13 May 2009

Section A	/36
Section B (Part 1)	/20
Section B (Part 2)	/20
Section C	/24
Total	/100

Parent's Signature: _____

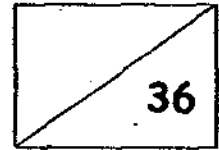
INSTRUCTIONS TO CANDIDATE:

Do not open this booklet until you are told to do so.

Follow all the instructions carefully.

Mathematics Paper 1A

Name: _____ ()



Class: Primary 2 _____

Section A: (18 x 2 marks = 36 marks)

Choose the correct answer and write its number in the brackets provided.

1. In 832, the digit 8 is in the _____ place.

(1) ones

(2) tens

(3) hundreds

(4) thousands

()

2. _____ is 10 more than 125.

(1) 25

(2) 115

(3) 135

(4) 225

()

3. $219 = \boxed{} + 19.$

What is the missing number in the box?

(1) 20

(2) 2

(3) 21

(4) 200

()

4. $642 - 102 = \square$

What is the missing number in the box?

(1) 360

(2) 540

(3) 542

(4) 744

()

5. 7 fives = \square

The missing number in the box is _____.

(1) 7×5

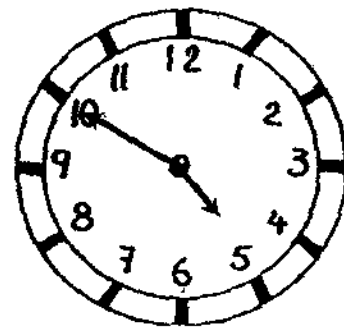
(2) $7 + 5$

(3) $7 \div 5$

(4) $7 - 5$

()

6. The time shown on the clock is _____.



(1) 4.50

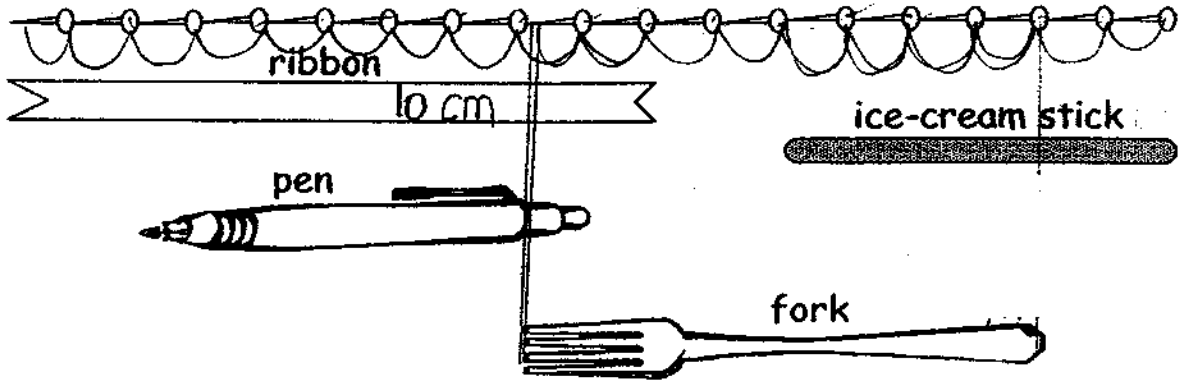
(2) 5.10

(3) 5.50

(4) 10.25

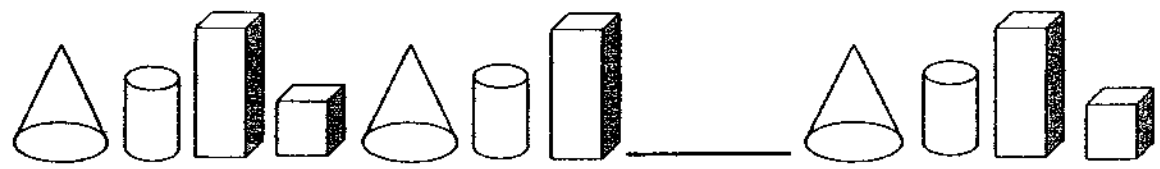
()

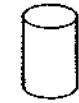



7. Which is the shortest?



- (1) ribbon
 - (2) ice-cream stick
 - (3) pen
 - (4) fork
- ()

8. What is the missing object in this pattern?



- (1) 
 - (2) 
 - (3) 
 - (4) 
- ()

9. We can exchange \$2 for _____ twenty-cent coins.

(1) 22

(2) 20

(3) 10

(4) 5

()

10. Which of the following number is greater than 241?

(1) 420

(2) 204

(3) 140

(4) 41

()

11. Which two numbers add up to 10 tens and 3 ones?

(1) 10 and 3

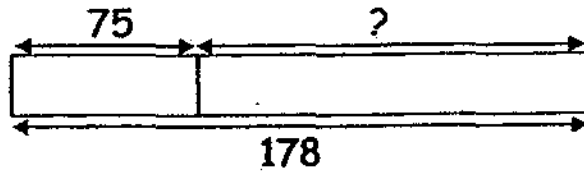
(2) 10 and 31

(3) 3 and 90

(4) 90 and 13

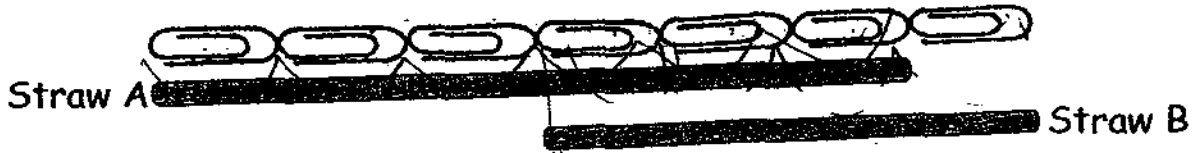
()

12. Which number sentence matches this model?



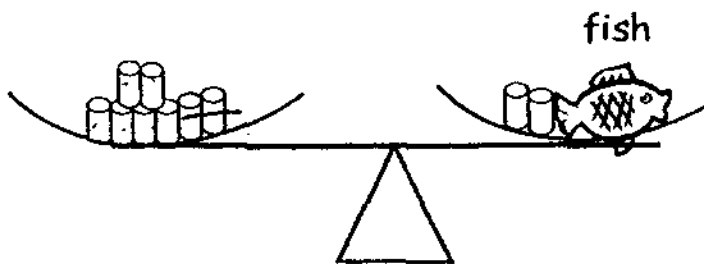
- (1) $178 - 103 = 75$ (2) $178 - 75 = 103$
 (3) $178 + 75 = 253$ (4) $178 + 103 = 281$ ()


13. The total length of these two straws is about _____ .



- (1) 6 (2) 2
 (3) 10 (4) 4 ()

14.

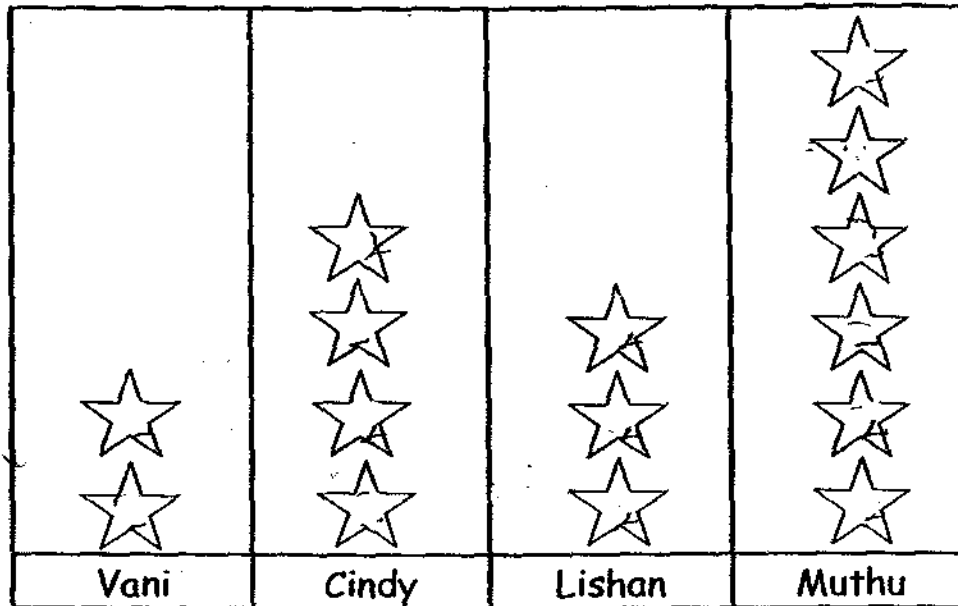


Each  stands for one unit.
 The mass of the fish is _____ units.

- (1) 6 (2) 2
 (3) 8 (4) 10 ()

15. Study the picture graph carefully and answer the following question.

Number Of Books Read



Each  stands for 2 books.

If Cindy reads another 5 books, she would have read _____ more books than Lishan.

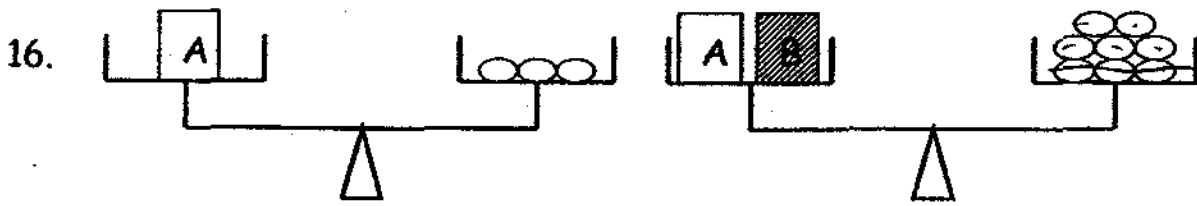
(1) 6

(2) 2

(3) 7

(4) 13

()



The mass of Block B is _____ ○ .

(1) 11

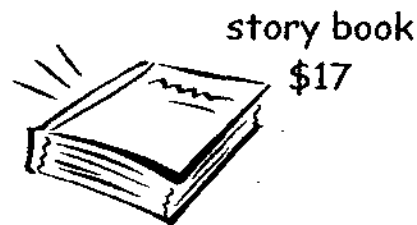
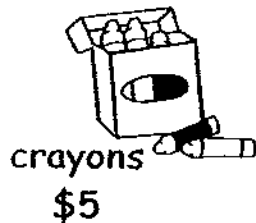
(2) 8

(3) 3

(4) 5

()

17. Aisha had five \$5 notes. She spent them on a story book and a box of crayons. How much money had she left?



(1) \$25

(2) \$22

(3) \$3

(4) \$12

()

18. $\star + \star + \star = 9$

$25 \div \heartsuit = \heartsuit$

What is the value of $\star \times \heartsuit$?

(1) 8

(2) 10

(3) 15

(4) 35

()

19. $\frac{3}{11}$ and _____ make 1 whole.

20. \$1.00 = _____ twenty-cent coins

21. After selling 179 curry puffs, Uncle Raj had 52 curry puffs left. How many curry puffs did he have at first?

22. Wen Jie scored 85 marks for English, 90 marks for Maths and 75 marks for Chinese. What was his total score for the 3 subjects?

23. Write the missing number in the box.

$$\begin{array}{r} 5 \quad 2 \quad 7 \\ + \quad 4 \quad \boxed{} \quad 8 \\ \hline 9 \quad 6 \quad 5 \\ \hline \end{array}$$

24. Aunt Susie bought 6 bottles of orange juice.
She paid \$60 altogether.
How much did 1 bottle of orange juice cost?

\$ _____

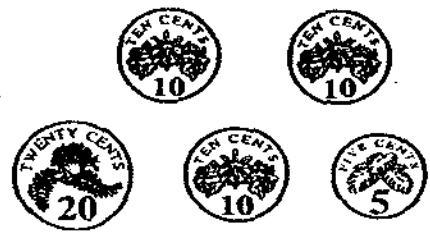
25. A taxi has 4 wheels.
How many wheels do 8 taxis have altogether?

26. Look at these 2 place value charts.

	Hundreds	Tens	Ones
Set A	100	10	1 1
	100	10	1 1
	100		1 1
Set B	100 100	10	1
	100 100	10	1

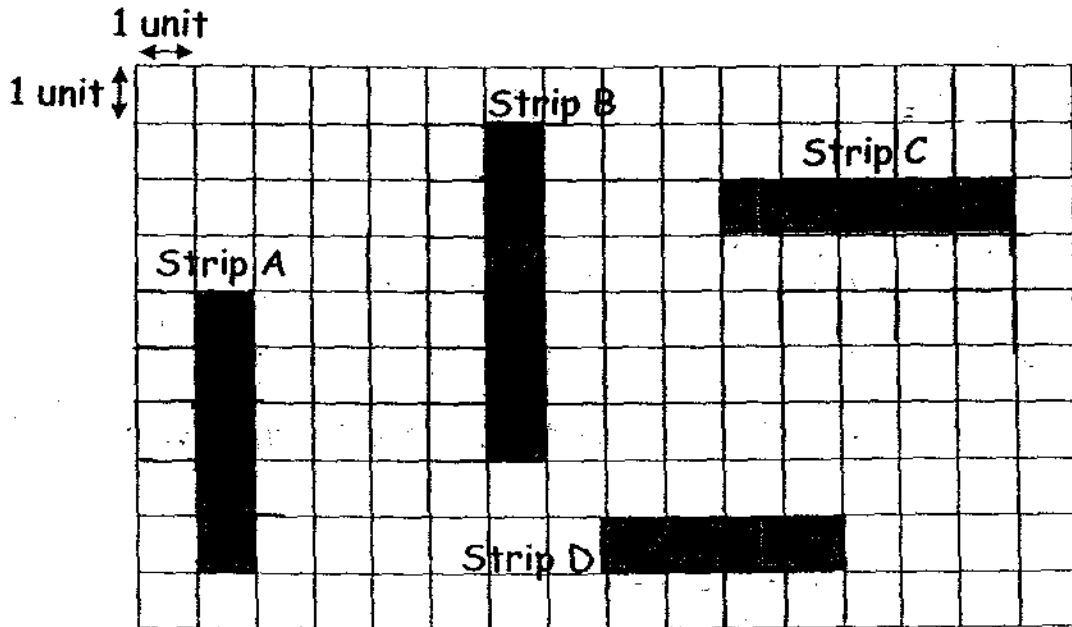
The set with the greater value is Set .

27. Jenny brought \$1 to school. She used a few coins to buy an eraser. She was left with only these coins.



Jenny spent ¢ on the eraser.

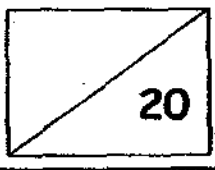
28. Yan Ling wants to compare the length of these strips of shaded paper. Strip is as long as Strip .



Mathematics Paper 1B

Name: _____ ()

Class: Primary 2 _____



Section B: Part 2 (10 x 2 marks = 20 marks)

Read the questions carefully. Write your answer in the boxes provided. Show all your working clearly as marks will be awarded for your working.

29. Take away 9 tens from 702. The answer is .

30. The sum of the second and third numbers below is .

- 405 92 318 150 132 16
- 5th

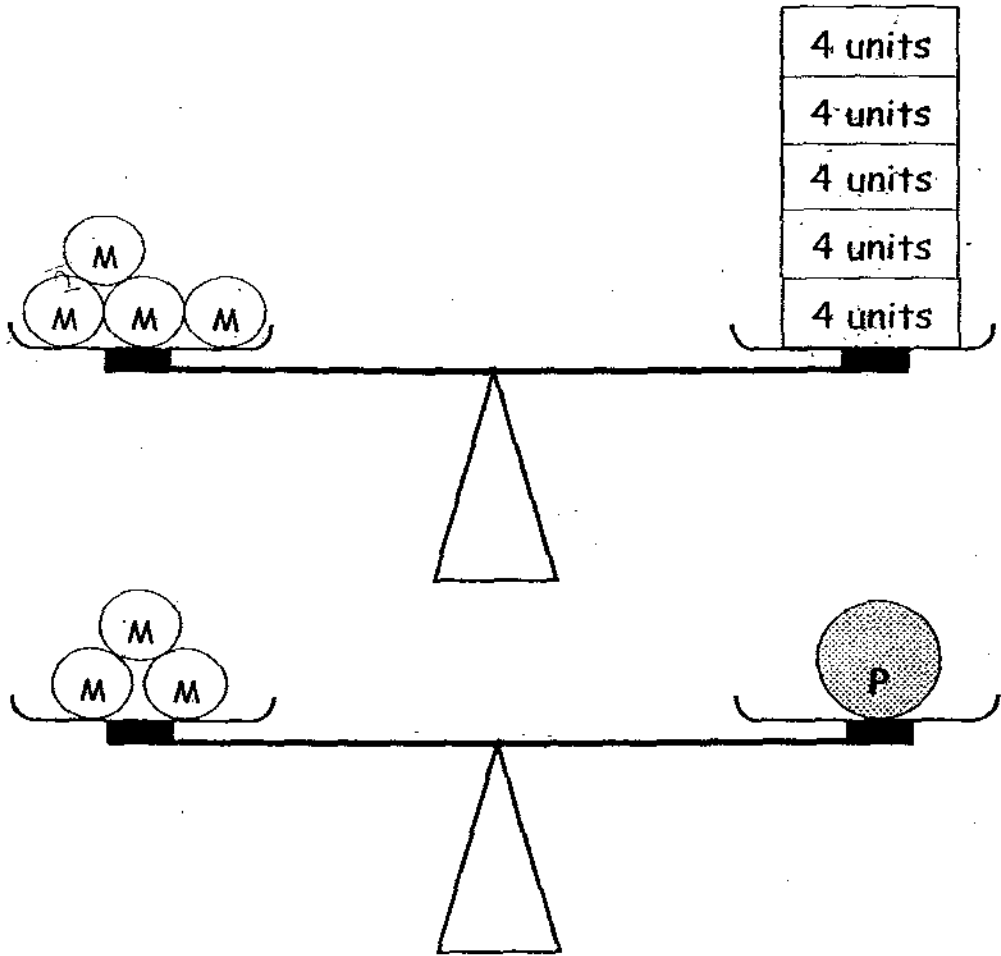
31. Kelly has spilt some ink over her work done on a card. The missing number which has been covered by the ink is .

$$\begin{array}{r} 227 \\ + \text{[ink]} \\ \hline 376 \end{array}$$

32. Look at the pattern below. The missing number is .

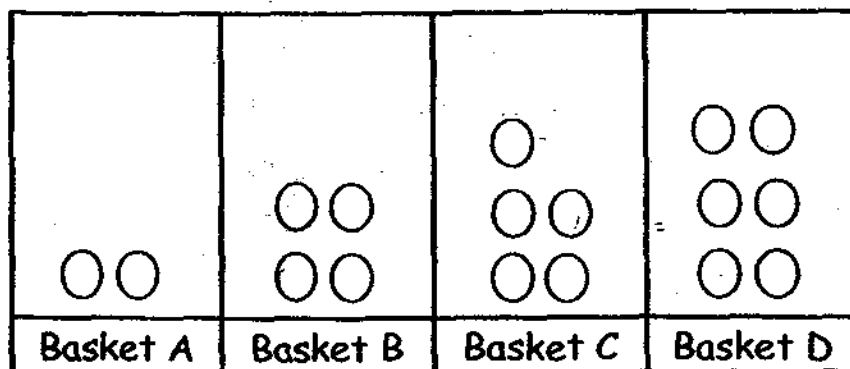


33. The mass of Ball P is units.



34. This picture graph shows the number of beanbags in 4 baskets.

Baskets Of Beanbags



Each ○ stands for 3 beanbags.

Ms Ang has to put another beanbags into Basket A if she wants it to have the same number of beanbags as Basket D.

35. This table shows the cost of tickets to a theme park.

Cost of Tickets	
An adult	\$23
A child	\$14

Mr Ali wants to buy tickets for himself and his two young children.

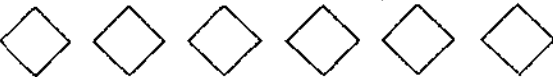



He has to pay \$ for the three tickets.

36. There are 3 shelves of magazines. Each shelf has an equal number of magazines. There are 27 magazines altogether.

There are magazines on each shelf.

37. The picture graph below shows the colours which some children like. Study it carefully and answer the following question.

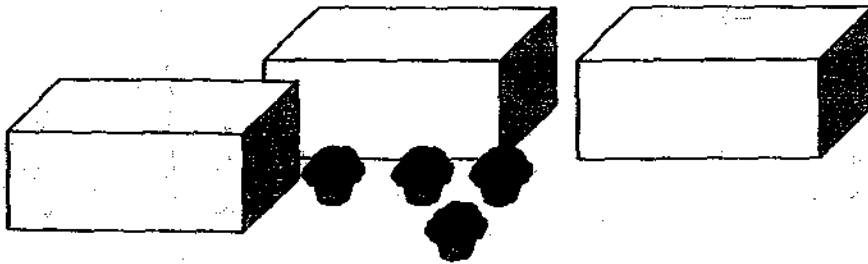
Colours We Like

Pink	
Blue	
White	
Silver	

14 children have chosen blue as the colour they like.
How many more children like pink more than white?

more children like pink more than white.

38. Malar baked 22 muffins. She had 4 muffins left after packing the rest into 3 boxes. Each box had the same number of muffins in it. How many muffins did Malar pack into each box?



Malar packed muffins in each box.

Name: _____ ()

Class: Primary 2 _____



Section C: Part 1 (4 x 3 marks = 12 marks)

Read each questions carefully and show your working clearly. Marks will only be awarded for correct number sentences, working and word statements.

39. A baker sold 300 buns on Sunday. He sold 65 more buns on Sunday than Monday. How many buns did the baker sell on Monday?

40. Timmy has 26 marbles. He wins 4 marbles in a game. His cousin gives him another 18 marbles. How many marbles does Timmy have now?

41. Some people are queuing to buy tickets. Mr Ng is in the middle of the queue. There are 5 people in front of him in the queue. How many people are standing in the queue?
(Hint: Draw A Diagram)

42. Dora and Hannah spent \$50 altogether at a shopping mall. Dora spent \$8 more than Hannah. How much did Dora spend?
(Hint: Make A Table)

Section C: Part 2 (3 x 4 marks = 12 marks)

Read each questions carefully and show your working clearly. Marks will only be awarded for correct number sentences, working and word statements.

43. There are 347 boys at a concert. There are 40 fewer boys than girls.

(a) How many girls are there at the concert?

(b) If 286 of these girls have long hair, how many girls have short hair?

44. Faridah had 30 mini chocolate bars. She shared them equally among 2 girls and 3 boys.

(a) How many mini chocolate bars did each child receive?

(b) How many mini chocolate bars did the 3 boys receive altogether?

45. Andy has 190 stamps in his collection. He adds another 7 stamps to his collection every month.

(a) How many more stamps does Andy have at the end of 4 months?

(b) What is his total collection of stamps at the end of 4 months?

EXAM PAPER 2009

SCHOOL : MGS PRIMARY
SUBJECT : PRIMARY 2 MATHEMATICS

TERM : SA1

Q1	Q2	Q3	Q4	Q5	Q6	Q7	Q8	Q9	Q10	Q11	Q12	Q13	Q14	Q15	Q16	Q17
3	3	4	2	1	1	2	4	3	1	4	2	3	1	3	4	3

Q18
3

19)8/11 20)5 21)127 22)250 23)3 24)\$10 25)32 26)B

27)45c 28)A,C 29)612 30)410 31)149 32)293 33)15 34)12

35)\$51 36) $27 \div 3 = 9$ 37)10 38)6

39) $300 - 65 = 235$

The baker sold 235 buns on Monday.

40) $26 + 4 = 30$

$30 + 18 = 48$

Timmy has 48 marbles now.

41)There are 11 people standing in the queue.

42) $29 - 21 = 8$

43)a) $347 + 40 = 387$

There are 387 girls at the concert.

b) $387 - 286 = 101$

101 girls have short hair.

44)a) $2 + 3 = 5$

$30 \div 5 = 6$

Each child received 6 mini chocolate bars.

b) $3 \times 5 = 15$

3 boys received 15 bars altogether.

45)a)Every month \rightarrow 7 stamps

4 months: $4 \times 7 = 28$

Andy has 28 stamps at the end after 4 months.

b) $190 + 28 = 218$

Andy has 218 stamps at the end of 4 months.