

Anglo-Chinese School  
(Junior)



SEMESTRAL ASSESSMENT 2 (2009)  
PRIMARY 4

MATHEMATICS

Friday

30 Oct 2009

1 h 45 min

INSTRUCTIONS TO PUPILS

DO NOT TURN OVER THE PAGES UNTIL YOU ARE TOLD TO DO SO.

Follow all instructions carefully.

There are 45 questions in this booklet.

Answer ALL questions.

Name:..... ( )

Class:.....

Section	Possible Marks	Marks Obtained
A	40	
B	40	
C	20	
TOTAL	100	

Parent's Signature: \_\_\_\_\_

This question paper consists of 17 printed pages. (Inclusive of cover page)

**Section A (20 × 2 marks)**

For each question, four options are given. Choose the correct answer and shade the correct oval (1, 2, 3 or 4) on the Optical Answer Sheet provided.

1. In 3 416, the digit 4 is in the \_\_\_\_\_ place.
  - (1) ones
  - (2) tens
  - (3) hundreds
  - (4) thousands
  
2. What is the sum of the third and fourth multiples of 6?
  - (1) 13
  - (2) 18
  - (3) 24
  - (4) 42
  
3. Which one of the following statements is incorrect?
  - (1) 4 is a factor of 16
  - (2) 11 is a factor of 33
  - (3) 2 is a common factor of 36 and 54
  - (4) 6 is a common factor of 24 and 32
  
4. What is the number when 156.58 is rounded off to 1 decimal place?
  - (1) 156.0
  - (2) 156.5
  - (3) 156.6
  - (4) 157.0
  
5. 3 ones, 7 tenths and 5 thousandths is \_\_\_\_\_.
  - (1) 0.375
  - (2) 3.075
  - (3) 3.705
  - (4) 3.750

6. 8 concrete blocks of the same thickness are piled on top of one another. The height of the pile is 10.24 m. If 3 concrete blocks are taken away, what is the height of the concrete blocks now?

- (1) 1.28 m
- (2) 3.84 m
- (3) 6.40 m
- (4) 8.96 m

7. Matthew has 3.17 kg of sugar. He wants to pack the sugar equally into 3 packets. How much sugar should be put in each packet?  
(Give your answer to the nearest tenth.)

- (1) 1.0 kg
- (2) 1.1 kg
- (3) 1.5 kg
- (4) 2.0 kg

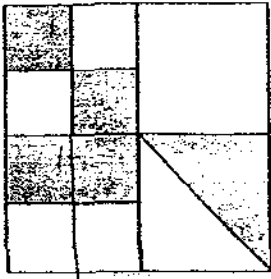
8. Find the value of  $3\frac{1}{6} - 1\frac{2}{3}$ .

- (1)  $1\frac{1}{2}$
- (2)  $2\frac{1}{6}$
- (3)  $2\frac{1}{3}$
- (4)  $2\frac{1}{2}$

9. Bryan read  $\frac{1}{3}$  of a book on Monday and  $\frac{1}{4}$  of it on Tuesday. What fraction of the book was not read?

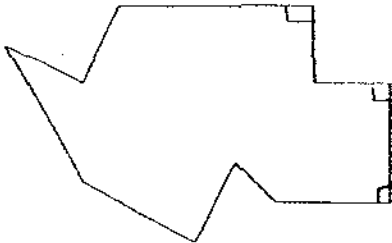
- (1)  $\frac{1}{3}$
- (2)  $\frac{2}{7}$
- (3)  $\frac{5}{12}$
- (4)  $\frac{7}{12}$

10. What fraction of the figure is shaded?



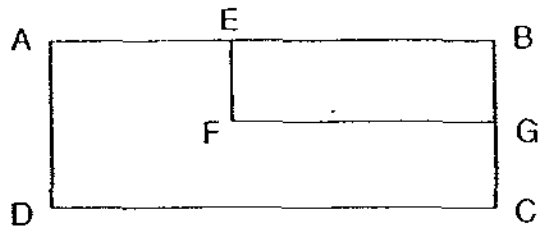
- (1)  $\frac{1}{2}$
- (2)  $\frac{3}{8}$
- (3)  $\frac{4}{9}$
- (4)  $\frac{5}{11}$

11. How many right angles are there inside the figure below?



- (1) 5
- (2) 6
- (3) 3
- (4) 4

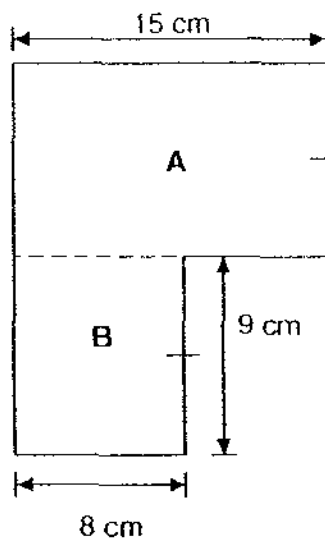
12. The figure is made up of 2 rectangles. Which one of the following statements is True?



- (1) AE is parallel to BG  
 (2) AD is parallel to BC  
 (3) DC is perpendicular to EB  
 (4) AB is perpendicular to FG
13. If the area of a square is  $64 \text{ cm}^2$ , its perimeter is \_\_\_\_\_ cm.

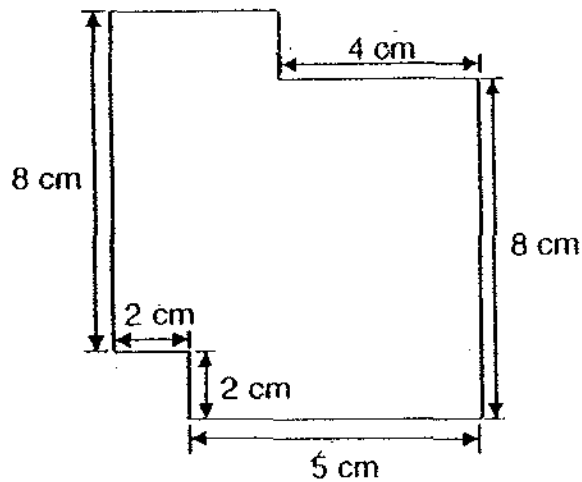
- (1) 16  
 (2) 24  
 (3) 32  
 (4) 64

14. Find the area of the figure below.



- (1)  $32 \text{ cm}^2$   
 (2)  $72 \text{ cm}^2$   
 (3)  $135 \text{ cm}^2$   
 (4)  $207 \text{ cm}^2$

15. The following figure is not drawn to scale. The perimeter of the figure is \_\_\_\_\_ cm.



- (1) 32
- (2) 34
- (3) 40
- (4) 70

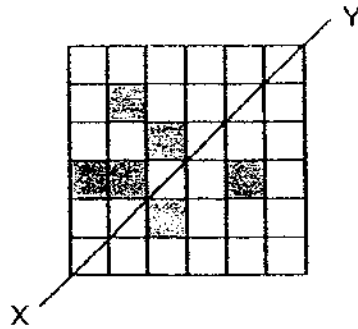
16. Which of the following basic shapes cannot be tessellated?

- (1)
- (2)
- (3)
- (4)

17. Joseph completed his homework at 1925. If he takes 4 hours and 47 minutes to complete his work, what time did he start?

- (1) 1438
- (2) 1448
- (3) 1538
- (4) 1548

18. What is the least number of squares you must shade to complete the figure which has line XY as a line of symmetry?



- (1) 5  
 (2) 2  
 (3) 3  
 (4) 4

The table below shows the results on the number of pets kept by a class of children. Study the table and use it to answer questions 19 and 20.

Number of Pets	0	1	2	3	4
Number of children with this number of pets	5	7	4	6	2

19. How many children have more than 1 pet?

- (1) 7  
 (2) 9  
 (3) 12  
 (4) 19

20. What fraction of the class has at least 3 pets?

- (1)  $\frac{1}{2}$   
 (2)  $\frac{1}{3}$   
 (3)  $\frac{1}{4}$   
 (4)  $\frac{3}{10}$

**Section B (20 × 2 marks)**

For each question, write your answer in the spaces provided. Give your answer in the units stated.

21. Write 15 020 in words.

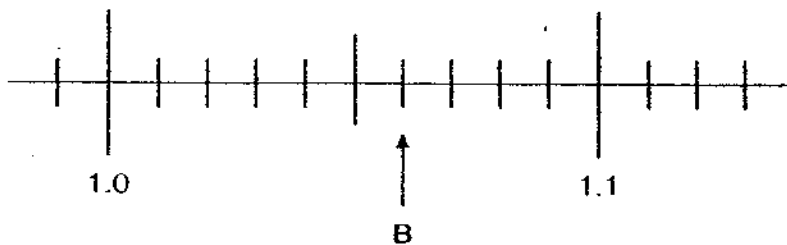
\_\_\_\_\_

22. 17 388 , 17 538 , \_\_\_\_\_ , 17 838 , 17 988  
The missing number in the above pattern is \_\_\_\_\_

23.  $8\frac{6}{7} = \frac{\boxed{\phantom{000}}}{7}$

What is the missing number in the box?

24. Write the decimal represented by B.



25. Arrange the following numbers in descending order.

7.026

7.26

7.206

7.62

26. Express 78 hundredths as a fraction in its simplest form.

27. Kassim jogged a total of 6 km from Monday to Friday. He jogged a total of 3.9 km on the first 3 days. If he jogged the same distance on the remaining 2 days, how far did he jog on Friday?

 km

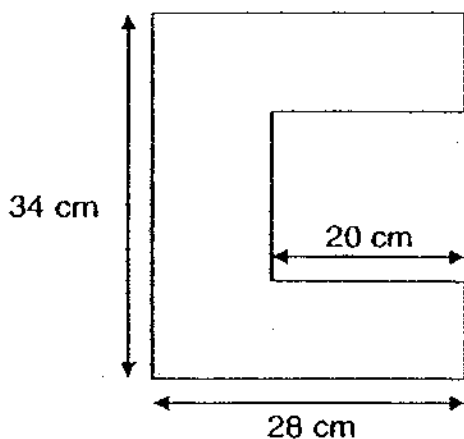
28. Write  $\frac{16}{6}$  as a mixed number in its simplest form.

29. Mrs Lee had  $5\frac{1}{3}$  kg of sugar. She bought another  $3\frac{1}{6}$  kg of sugar from Uncle Royston. She then used  $4\frac{5}{6}$  kg of sugar to bake cakes. How much sugar had Mrs Lee left in the end? (Simplify your answer)

kg
----

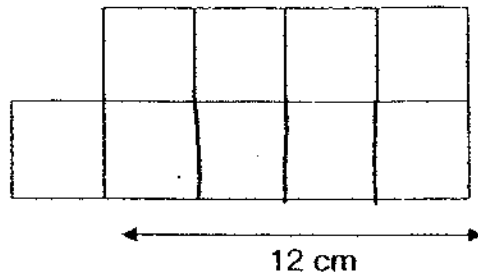
30. In a class of 20 pupils,  $\frac{2}{5}$  were boys and the rest were girls. Each boy had 2 pencils and each girl had twice as many pencils as each boy. How many pencils did all the pupils in the class have?

31. Find the perimeter of the figure below.

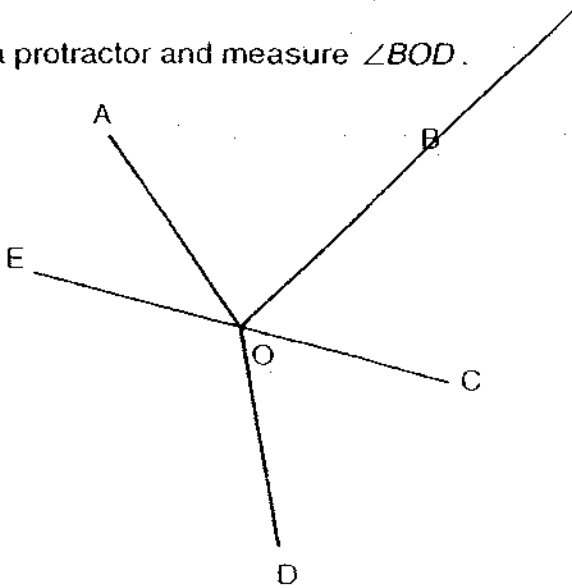


cm
----

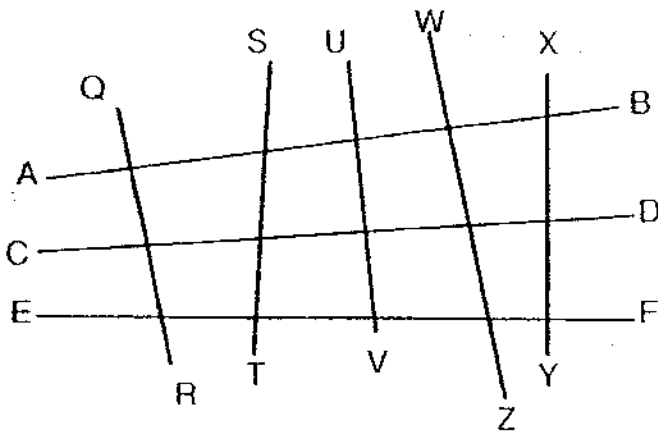
32. The figure below is made up of a rectangle and 5 identical squares. What is the area of the figure?



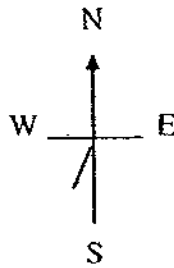

33. Use a protractor and measure  $\angle BOD$ .




34. Which 2 lines are parallel to each other?



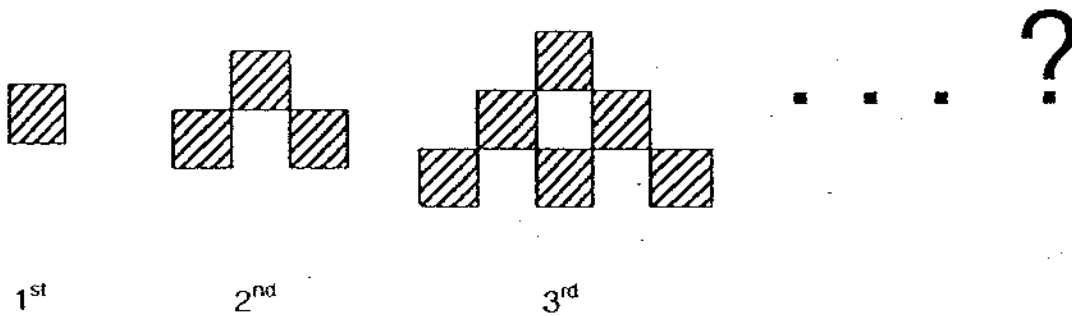
35. Wei En turns  $135^\circ$  anti-clockwise. If he is facing South-West in the end, where is he facing at first?



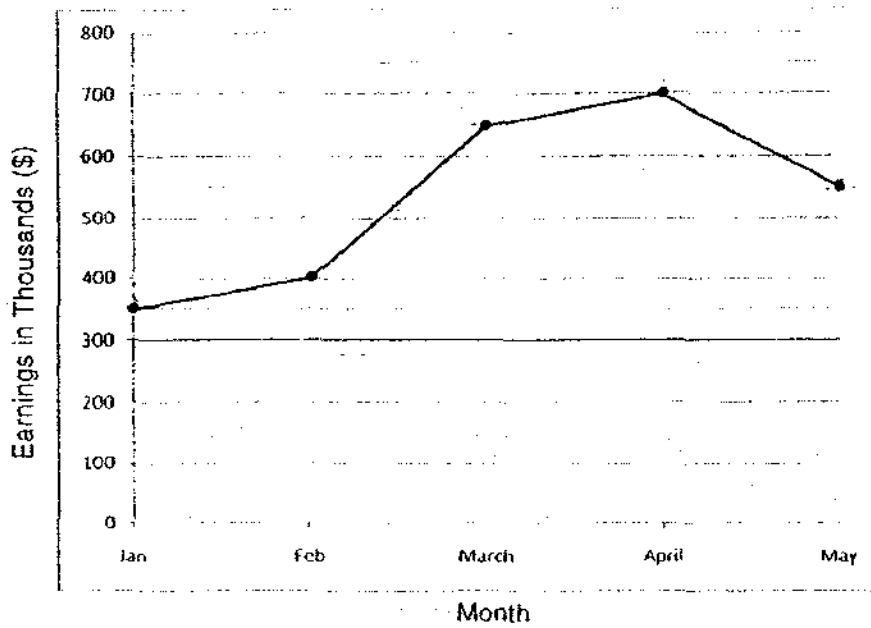

36. The MRT trains depart at intervals of 12 minutes. Find the time of departure of the fourth train if the first train departs at 7.45 p.m.

 p.m.

37. Study the figures below. How many shaded figures are required for the 10<sup>th</sup> pattern?



The line graph shows the amount of money a company earned from January to May. Study it and answer question 38.



38. In which two successive months was the increase in the amount of money earned the greatest?

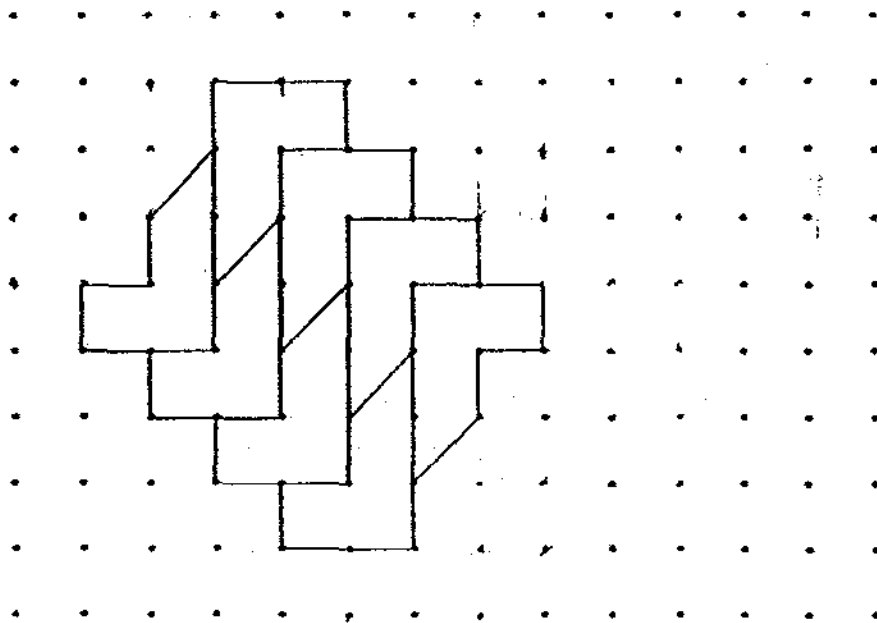
39. ☀ + 🎵 + 😊 = 34

☀ + 😊 = 18

☀ + 😊 - 🎵 =

What is the missing number in the box?

40. The pattern in the box shows part of a tessellation. Extend the tessellation by drawing 6 more unit shapes in the space within the box.



**Section C (5 × 4 marks)**

Work out the following sums carefully. Show each step of your working clearly as marks will be given for working and relevant statements.

41. John has 5 times as many stamps as Roy. They have 150 stamps altogether.  
How many more stamps does John have than Roy?

42. A kettle has 420 ml more water than a jug. When 150 ml of water is poured from the jug into the kettle, there are 4 times as much water in the kettle as the jug. How much water is there in the jug now?

43. Mary bought 1 exercise book, 2 pens and 4 pencils for \$3.20. The cost of 1 pen and 2 pencils is \$0.90. What is the cost of 3 exercise books?

44. Jane loved eating sweets. Each day, she would eat  $\frac{1}{2}$  more sweets than the previous day. If she ate a total of 27 sweets in 3 days, how many such sweets did she start with on the first day?

45. At a party,  $\frac{3}{7}$  of the people attending were adults.  $\frac{2}{5}$  of the children were boys.

If there were 48 girls,

a) how many children were there?

b) how many people were at the party?

- End of paper -

# ANSWER SHEET

## EXAM PAPER 2009

SCHOOL : ACS PRIMARY  
SUBJECT : PRIMARY 4 MATHEMATICS

TERM : SA2

Q1	Q2	Q3	Q4	Q5	Q6	Q7	Q8	Q9	Q10	Q11	Q12	Q13	Q14	Q15	Q16	Q17
3	4	4	3	3	3	2	1	3	2	3	2	3	4	2	1	1

Q18	Q19	Q20
4	3	2

- 21) fifteen-thousand and twenty    22) 17688    23) 62    24) 1.06  
25) 7.62, 7.26, 7.206, 7.026    26)  $\frac{39}{50}$     27) 1.05km    28)  $\frac{22}{3}$   
29)  $3\frac{2}{3}$ kg    30) 64    31) 164cm    32)  $81\text{cm}^2$     33)  $122^\circ$     34) WZ//QR  
35) North    36) 8.21p.m.    37) 55    38) Feb to March    39) 2  
40)    41) 100    42) 240ml    43) \$4.20  
44) 7    45) a) 80    b) 140

