



**CATHOLIC HIGH SCHOOL
END-OF-YEAR EXAMINATION 2010
MATHEMATICS
PRIMARY 3**

Name: _____ ()

Class: Primary _____

Date: 26 October 2010

Duration: 1 h 45 min

| | |
|--------------------|------------|
| Section A | 40 |
| Section B | 40 |
| Section C | 20 |
| Total Marks | 100 |

Parent's Signature: _____

There are 3 sections consisting of 18 pages in this paper.

Section A: Multiple-Choice Questions (MCQ) 20 x 2 marks

Section B: Open-Ended Questions 20 x 2 marks

Section C: Story Sums 5 x 4 marks

SECTION A: Multiple-Choice Questions (20 x 2 marks)

For each of the question from 1 to 20, four options are given: One of them is the correct answer. Make your choice (1, 2, 3 or 4). Shade the correct oval (1, 2, 3 or 4) on the Optical Answer Sheet (OAS).

1. Which one of the following has the greatest value?

- (1) 54 tens
- (2) 879 ones
- (3) 6 thousands
- (4) 23 hundreds

()

2. Subtract 566 from 1800. Which digit in the answer is in the hundreds place?

- (1) 1
- (2) 2
- (3) 3
- (4) 4

()

3. 4 607 can be written as _____

- (1) 4 000 + 60 + 7
- (2) 4 000 + 60 + 70
- (3) 4 000 + 600 + 7
- (4) 4 000 + 600 + 70

()

4. Which number is not divisible by 3?

- (1) 198
- (2) 263
- (3) 354
- (4) 471

()

5. Express 2 t 9 ml in millilitres.

- (1) 29 ml
- (2) 209 ml
- (3) 2 009 ml
- (4) 2 090 ml

()

6. Jacob spent $\frac{2}{3}$ of his salary last week and $\frac{1}{6}$ of his salary this week. What fraction of his salary did he spend altogether?

(1) $\frac{2}{15}$

(2) $\frac{1}{3}$

(3) $\frac{1}{2}$

(4) $\frac{5}{6}$

()

7. Liying jogs a distance of 1 km 60 m. Kevin jogs a distance of 2 km 25 m. How much further does Kevin jog than Liying?

(1) 65 m

(2) 135 m

(3) 650 m

(4) 965 m

()

8. Xavier drinks 1 l 5 ml of milk every day. What is the total amount of milk he drinks in 5 days?

(1) 5 l 25 ml

(2) 5 l 250 ml

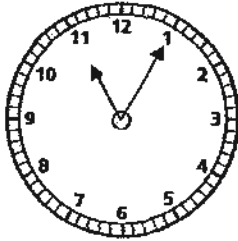
(3) 50 l 250 ml

(4) 52 l 50 ml

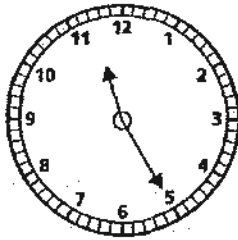
()

9. Yiting went to the shopping centre at 10.45 a.m. She came home 1 h 20 min later. Which clock face shows the time Yiting reached home?

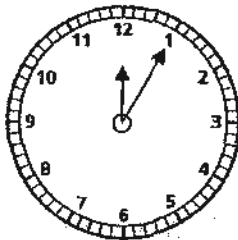
(1)



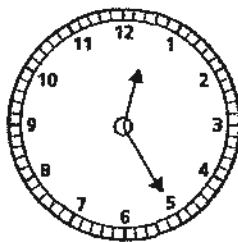
(2)



(3)



(4)



()

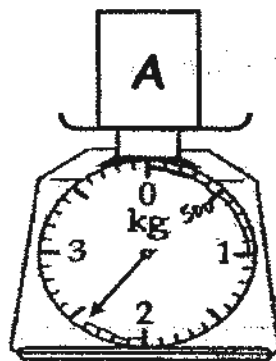
10. The menu shows different food items sold in a restaurant.

| <u>Menu</u> | |
|--------------|-----------|
| Cream Puff | —— \$1.50 |
| Chicken wing | —— \$4.50 |
| Fishballs | —— \$2.00 |
| French Fries | —— \$2.50 |
| Pizza | —— \$3.00 |

Jeremy bought 2 different items from the restaurant. He gave the cashier 3 two-dollar notes without receiving any change. Which of the two items did Jeremy buy?

- (1) Fishballs and Pizza
- (2) Cream Puff and French Fries
- (3) Cream Puff and Chicken wing
- (4) French Fries and Chicken wing ()

11. Study the diagram carefully.



What is the mass of A?

- (1) 2 kg 40 g
- (2) 2 kg 80 g
- (3) 2 kg 400 g
- (4) 2 kg 800 g ()

12. How many fours are there in 84×7 ?

- (1) 80
- (2) 147
- (3) 330
- (4) 588x

()

13. Benny saved \$660 last year. His brother saved \$12 more than him each month. How much did they save altogether?

- (1) \$1 176
- (2) \$1 308
- (3) \$1 332
- (4) \$1 464

()

14. Janice reached a party at 8.30 p.m. She left at 1.15 a.m. How long was she at the party?

- (1) 4 h 15 min
- (2) 4 h 45 min
- (3) 5 h 15 min
- (4) 5 h 45 min

()

15. Study the diagram carefully.



What is the mass of  ?

- (1) 2 kg 35 g
- (2) 2 kg 350 g
- (3) 3 kg 34 g
- (4) 3 kg 340 g

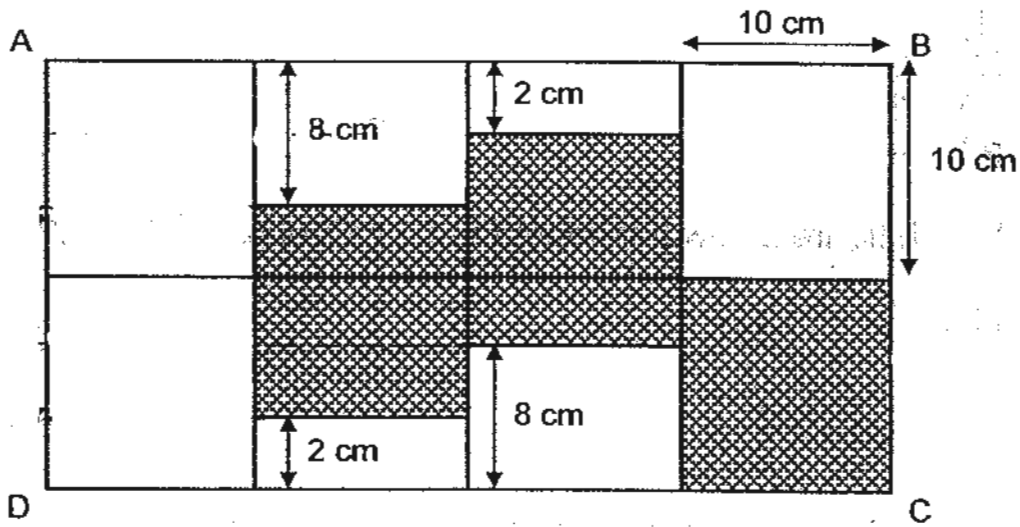
()

18. Raju has 27 coins. Steven has twice as many coins as Raju. Teddy has thrice as many coins as Steven. How many coins do the three boys have altogether?

- (1) 27×5
- (2) 27×6
- (3) 27×8
- (4) 27×9

()

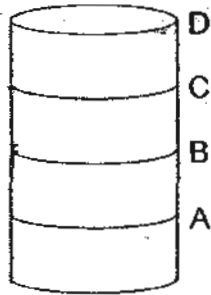
19. Figure ABCD is made of 8 identical squares. What fraction of the figure is shaded?



- (1) $\frac{3}{10}$
- (2) $\frac{3}{8}$
- (3) $\frac{5}{12}$
- (4) $\frac{5}{8}$

()

20. A container is marked into 4 equal levels. It has the same capacity as 16 bottles or 32 glasses of water. Which level should the water reach if 8 bottles and 8 glasses of water are poured into it?



- (1) A
- (2) B
- (3) C
- (4) D

()

29. Sam was looking for his puppy. He walked up 2 levels but he could not find it. After walking down 8 levels, he found it at the 15th floor. At which floor did Sam start his search?

Ans: _____

30. There are 101 chocolates to be shared among 26 children. How many more chocolates are needed so that each child will receive 4 chocolates?

Ans: _____

31. A maximum of 8 passengers can board a mini-bus each time. If there are 116 passengers, how many mini-buses are needed to transport all the passengers?

Ans: _____

32. There are 68 more guests in Hall A than in Hall B. After 32 guests are transferred from Hall A to Hall B, how many more guests are in Hall A than in Hall B?

Ans: _____

33. Mrs Samat wanted to buy 24 cans of tuna but she was short of \$2. She bought 21 cans of tuna and had \$2 left. How much money did she have at first?

Ans: \$ _____

34. 3 glasses of fruit juice can fill a jug. What is the capacity of a glass if the capacity of the jug is 1 l 62 ml?

Ans: _____ ml

35. The time in Singapore is 8 hours ahead of the time in London. Zhiwen, who lives in Singapore, has a faulty watch which is 15 minutes slower. What is the time in London if Zhiwen's watch shows 6.25 p.m?

Ans: _____ a.m.

36. A ribbon, 7 m 8 cm long was cut into 2 pieces. If the longer piece was twice as long as the shorter piece, what was the length of the longer piece?

Ans: _____ cm

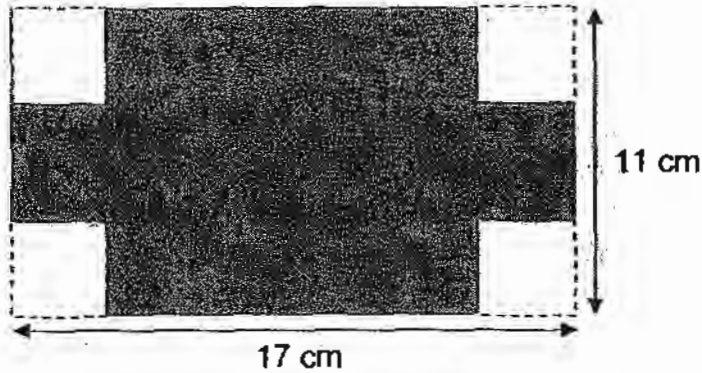
37. At a camp, some girls and boys were grouped into teams. In each team, there were 8 boys and 6 girls. If there were 136 boys, find the number of girls.

Ans: _____

38. Thomas bought 2 tins of milk powder. Each tin of milk powder costs \$9.15. How much change would Thomas get if he gave the cashier 1 ten-dollar note, 1 five-dollar note and 2 two-dollar notes?

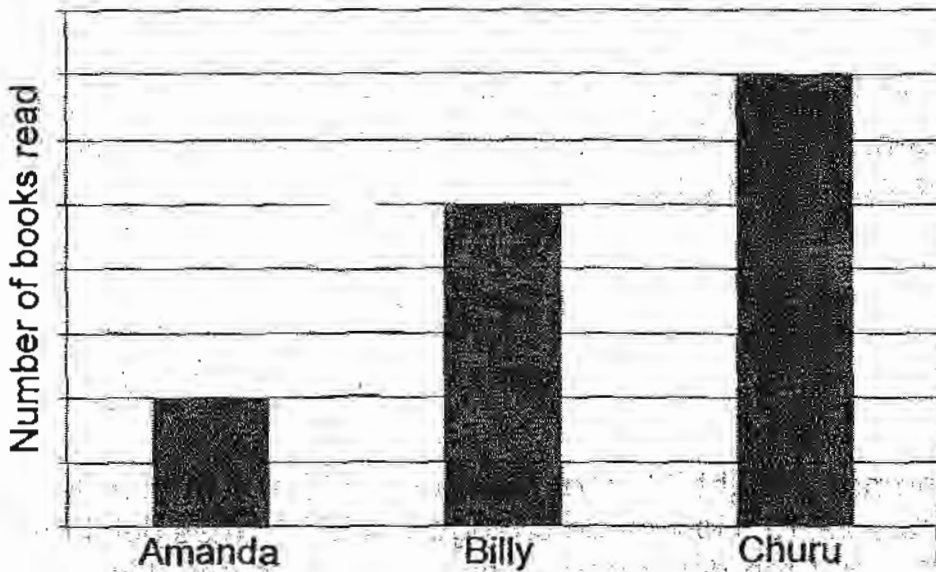
Ans: \$ _____

39. 4 identical squares were cut off from the corners of a piece of paper as shown below. Find the perimeter of the remaining piece of paper which is shaded.



Ans: _____ cm

40. The graph below shows the number of books each child read. How many books did Churu read if Billy read 12 more books than Amanda?



Ans: _____

SECTION C: Story Sums (5 x 4 marks)

**Solve the following story sums. All workings must be shown clearly.
Draw models if necessary.**

41. Candice and Rosanne baked an equal number of cookies each. After baking, Candice gave 60 of her cookies to her neighbours while Rosanne gave 18 cookies to her friends. Now, Rosanne had thrice as many cookies as Candice. How many cookies did Rosanne bake at first?

Ans: _____

- 42 Dennis bought a storybook. He read $\frac{3}{5}$ of the storybook on the first day and $\frac{1}{4}$ of the remaining storybook on the second day. If Dennis read 4 pages of the book on the second day,
- how many pages of the storybook are left unread?
 - how many pages are there in the storybook?

Ans: a) _____

: b) _____

43. Steven has a total value of \$486. He has twice as many \$2 notes as \$5 notes:

- a) How many \$5 notes does Steven have?
- b) What is the total value of the \$2 notes that Steven has?

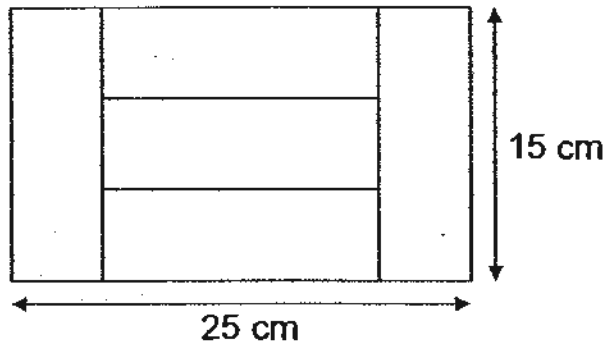
Ans: a) _____

: b) _____

44. Miss Tay arranged 25 candles in a straight row with equal distance between them. The distance between the 12th and the 21st candle was 72 cm. After more candles were added to the row, the distance between the 1st and the last candle became 280 cm. How many candles had been added?

Ans: _____

45. The picture below is made up of 5 identical rectangular tiles.
- a) What is the area of 1 tile?
 - b) What is the perimeter of 1 tile?



Ans: a) _____

: b) _____

END OF PAPER

ANSWER SHEET

EXAM PAPER 2010

SCHOOL : CATHOLIC HIGH PRIMARY
SUBJECT : PRIMARY 3 MATHEMATICS

TERM : SA2

| | | | | | | | | | | | | | | | | |
|----|----|----|----|----|----|----|----|----|-----|-----|-----|-----|-----|-----|-----|-----|
| Q1 | Q2 | Q3 | Q4 | Q5 | Q6 | Q7 | Q8 | Q9 | Q10 | Q11 | Q12 | Q13 | Q14 | Q15 | Q16 | Q17 |
| 3 | 2 | 3 | 2 | 3 | 4 | 4 | 1 | 3 | 3 | 3 | 2 | 4 | 2 | 2 | 2 | 4 |

| | | |
|-----|-----|-----|
| Q18 | Q19 | Q20 |
| 4 | 2 | 3 |

- 21)6409 22)4950 23) $3/7, 1/2, 3/5$ 24)377 25)432
- 26)Angle Y, Angle W, Angle Z, Angle X 27)103 28)25 29)21
- 30)3 31)15 32)4 33)\$30 34)354m 35)10.40a.m.
- 36)472cm 37)102 38)\$0.70 39)56cm 40)28

- 41) $2u \rightarrow 60 - 18 = 42$
 $1u \rightarrow 42 \div 2 = 21$
 $3u \rightarrow 21 \times 3 = 63$
No.of cookies Rosanne baked $\rightarrow 63 + 18 = 81$ cookies

- 42)a) $1u \rightarrow 4$ pages
 $3u \rightarrow 4 \times 3 = 12$ pages
b) $10u \rightarrow 4 \times 10 = 40$ pages

- 43)a) $9u \rightarrow 486$
 $1u \rightarrow 54$ notes
b) $2u \rightarrow 108$
 $108 \times 2 = \$216$

- 45)a)area of picture $\rightarrow 15 \times 25 = 375\text{cm}^2$
area of 1 tile $\rightarrow 375 \div 5 = 75\text{cm}^2$
b) $15 \div 3 = 5\text{cm}$
Length of 1 tile $\rightarrow 75 \div 5 = 15\text{cm}$
Peri of 1 tile $15 + 5 + 15 + 5 = 40\text{cm}$

- 44) $21 - 12 = 9$
9 pages $\rightarrow 72\text{cm}$
1gap $\rightarrow 72 \div 9 = 8\text{cm}$
 $280 \div 8 = 35$ gaps
No. of candles $\rightarrow 35 + 1 = 36$
No.of candles added $\rightarrow 36 - 25 = 11$ candles