

Name: _____ ()

Class : Primary 4 _____

CHIJ ST NICHOLAS GIRLS' SCHOOL (PRIMARY)



PRIMARY 4

CONTINUAL ASSESSMENT TWO

MATHEMATICS

24 AUGUST 2010

BOOKLET A

TOTAL TIME FOR BOOKLETS A AND B: 1 hour 45 minutes

Do not open the booklet until you are told to do so.
Follow all instructions carefully.

This paper consists of 6 printed pages including the cover page.

Section A: (16 x 2 marks)

For each question, four options are given. One of the options is the correct answer. Shade the correct oval (1, 2, 3 or 4) on the Optical Answer Sheet. Please use only 2B pencil and SHADE the oval completely.

1. In 76 909, what is the value of the digit 7?

- (1) 7 thousands
- (2) 700 hundreds
- (3) 700 tens
- (4) 7000 ones

2. 20 000 less than _____ is 50 429.

- (1) 30 429
- (2) 48 429
- (3) 52 429
- (4) 70 429

3. Which one of the following is 6 570 when rounded off to the nearest ten?

- (1) 6 555
- (2) 6 562
- (3) 6 566
- (4) 6 577

4. Which one of the following is the best estimate for 451×47 ?

- (1) 450×40
- (2) 450×50
- (3) 460×40
- (4) 460×50

5. There are some children in the park. These children can be divided equally into groups of 4 or 9. Which one of the following shows the possible number of children?
- (1) 112
 - (2) 117
 - (3) 200
 - (4) 216
6. Find the product of 907 and 48.
- (1) 10 884
 - (2) 33 436
 - (3) 43 536
 - (4) 44 486
7. Elise and Linda save a total of \$ 3880 every month. Linda's monthly savings is \$476 less than Elise's monthly savings. What is the total amount that Linda saves in a year?
- (1) \$ 20 424
 - (2) \$ 26 136
 - (3) \$ 40 848
 - (4) \$ 52 272
8. How many tenths are there altogether in $5\frac{2}{5}$?
- (1) 15
 - (2) 27
 - (3) 35
 - (4) 54

9. Express $3\frac{4}{7}$ as an improper fraction.

(1) $\frac{12}{7}$

(2) $\frac{19}{7}$

(3) $\frac{25}{7}$

(4) $\frac{33}{7}$

10. The table below shows a total of 382 flowers sold by a florist on Mother's Day.

Type of Flower	Number sold
Roses	?
Lilies	78
Tulips	46
Carnations	?

Given that there were twice as many carnations sold as lilies, how many roses were sold?

(1) 102

(2) 124

(3) 129

(4) 156

11. Jenny had 4 kg of sugar. She gave $1\frac{1}{6}$ kg of sugar to Devi and $\frac{2}{3}$ kg of sugar to Jane. How many kilograms of sugar had she left?

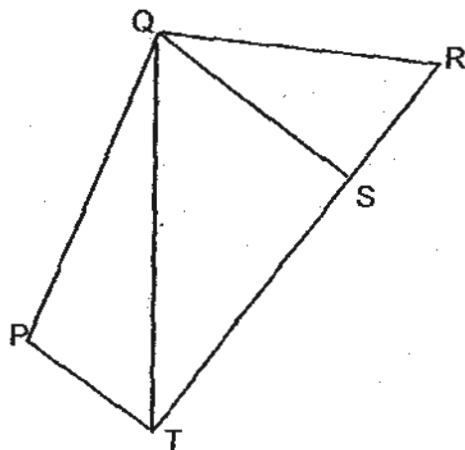
(1) $1\frac{5}{6}$ kg

(2) $2\frac{1}{6}$ kg

(3) $2\frac{5}{6}$ kg

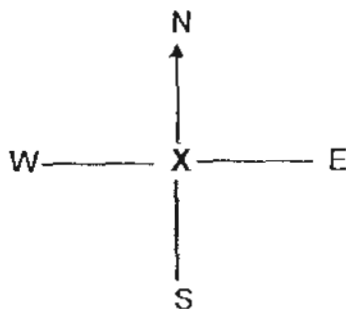
(4) $3\frac{1}{3}$ kg

12. In the figure below, which one of the following pairs of lines are parallel?



- (1) QR and PT
- (2) QS and PT
- (3) QS and RT
- (4) PQ and RT

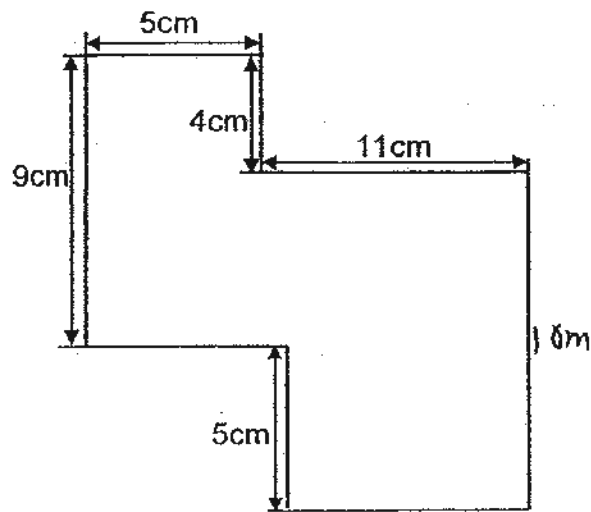
13. Angie is standing at Point X and facing north-east. She makes a $\frac{3}{4}$ turn in the anticlockwise direction. Which direction is she facing finally?



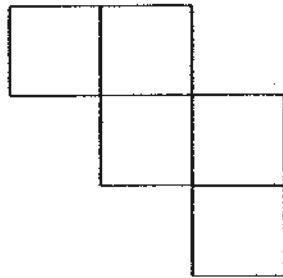
- (1) South
- (2) West
- (3) North-West
- (4) South-East

14. What is the perimeter of the figure below?
(All the lines meet at right angles.)

- (1) 30 cm
- (2) 34 cm
- (3) 54 cm
- (4) 60 cm



15. The figure below is made up of identical squares. The area of the figure is 180 cm^2 . Find the perimeter of the figure.



- (1) 36 cm
 - (2) 72 cm
 - (3) 108 cm
 - (4) 360 cm
16. What is 204.64 when rounded off to the nearest tenth?
- (1) 204.0
 - (2) 204.6
 - (3) 205.0
 - (4) 205.6

**** END OF BOOKLET A ***

Name: _____ ()

Class : Primary 4 _____

CHIJ ST NICHOLAS GIRLS' SCHOOL (PRIMARY)



Primary 4

CONTINUAL ASSESSMENT TWO

MATHEMATICS

24 AUGUST 2010

Booklet B

Booklet A:	/ 32
Booklet B :	/ 68
Total Marks	/ 100

Parent's/Guardian's Signature

TOTAL TIME FOR BOOKLETS A AND B: 1 hour 45 minutes

Do not turn over this page until you are told to do so.
Follow all instructions carefully.

This paper consists of 16 printed pages including the cover page.

Section B: (20 x 2 marks)

*Please do not
write in this
space.*

Write down your answers in the spaces provided. For questions which require units, give your answers in the units stated. Show all workings clearly.

1. What is the sum of 28 tens, 29 hundreds and 19 thousands?

Ans: _____

2. In 58 489, what is the difference between all the values of the digit 8?

Ans: _____

3. Round off 77 647 to the nearest hundred.

Ans:

4. A box contains 6 mangoes and a basket contains 8 durians. Ali buys an equal number of mangoes and durians. What is the least number of boxes of mangoes and baskets of durians Ali must buy?

Ans: _____ boxes of mangoes

_____ baskets of durians



5. Use all the digits 5, 8, 0, 2 and 9 to form the smallest 5-digit even number with 8 in the tens place.

Please do not write in this space.

Ans: _____

6. Chloe had an equal number of stickers and stamps. She gave 43 stickers to her friends and had twice as many stamps as stickers left. How many stickers and stamps did she have at first?

Ans: _____

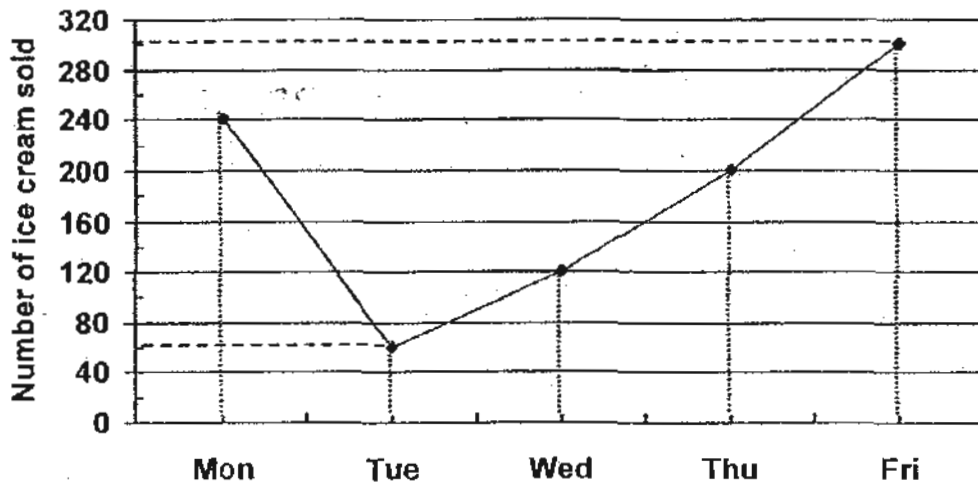
7. Benita thought of a 2-digit odd number. The number is between 49 and 67 and can be divided exactly by 9 and 3. Given that the sum of the 2 digits is 9, what is the number that Benita thought of?

Ans: _____



The graph below shows the number of ice cream sold by a shop in five days. Study the graph carefully and answer questions 8 to 10.

Please do not write in this space.



8. On which day were there twice as many customers who bought ice cream as on Wednesday?

Ans: _____

9. At which 1-day interval was the increase in the number of customers the least?

Ans: _____

10. What was the total amount of money earned by the shop from Wednesday to Friday if the cost of an ice cream is \$3?

Ans: \$ _____



The table below shows the marks obtained by a class of Primary 4 pupils in a test. Study the table carefully and answer question 11.

Please do not write in this space.

Number of pupils	Number of marks obtained
3	50 - 59
5	60 - 69
11	70 - 79
?	80 - 89

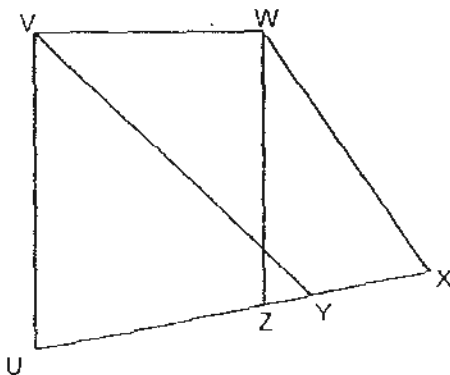
11. The number of pupils who scored between 80 and 89 marks was 5 times as many as the number of pupils who scored between 50 and 59 marks. How many pupils scored above 69 marks?

Ans: _____

12. Aunt Iris has 35 balloons. $\frac{2}{7}$ of them are yellow, 8 are blue and the rest are red. How many balloons are red?

Ans: _____

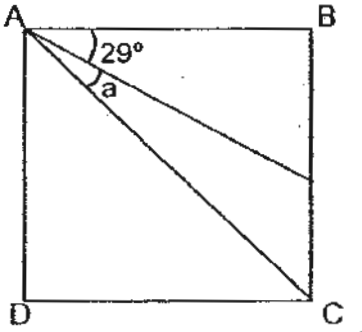
13. How many pairs of perpendicular lines are there altogether in the figure below?



Ans: _____



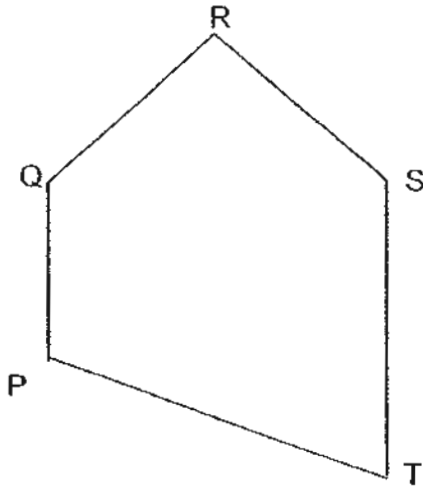
14. The figure below shows a square ABCD. Find $\angle a$.



Please do not write in this space.

Ans: _____°

15. Study the figure below. Measure $\angle STP$.

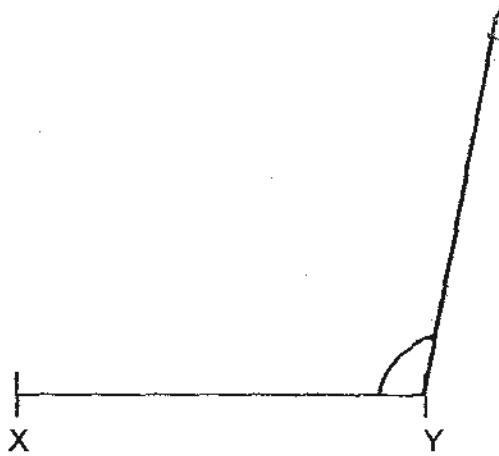


Ans: _____°

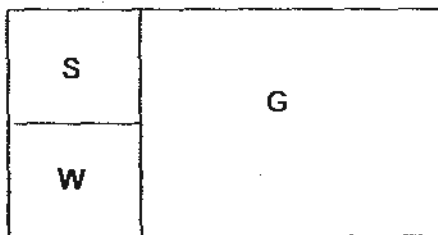


16. Given the line below, construct $\angle XYZ$ such that $\angle XYZ = 100^\circ$. Label the angle clearly.

Please do not write in this space.



17. The figure below is made up of two squares S and W of sides 4 cm each and a rectangle G. The area of the figure is 112 cm^2 . What is the perimeter of the figure?

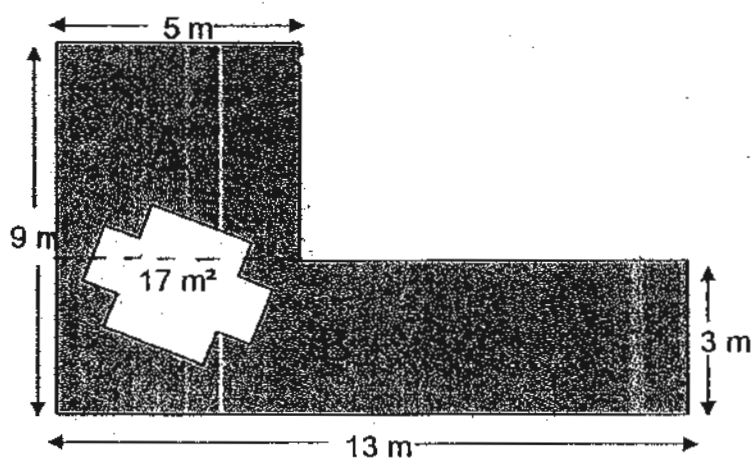


Ans: _____ cm



Please do not write in this space.

18. The figure below is made up of two rectangles. Find the area of the shaded part.



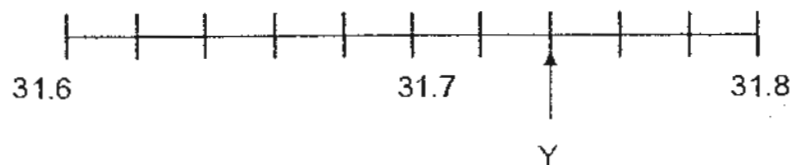
Ans: _____ m²

19. Arrange the following in ascending order.

0.52, $\frac{1}{4}$, 0.065, $\frac{37}{100}$

Ans: _____

20. Write the decimal represented by Y.



Ans: _____



Section C: (28 marks)

Solve the following problems. All mathematical working and statements must be shown clearly.

Please do not write in this space.

21. Cindy bought a washing machine for \$1099, a dryer for \$699 and 6 sets of cutlery which cost \$15 each. How much did she pay in all? Round off your answer to the nearest \$10.

Ans: _____ (3)



22. 8 teams entered a netball tournament. Each team was scheduled to play against another team once. How many games were scheduled for the tournament altogether?

Please do not write in this space.

Ans: _____ (3)



23. There are two types of blouses, A and B, displayed for sale in a shop. Type A blouse has 4 buttons while Type B blouse has 5 buttons. Caitlin counted a total of 193 buttons on 42 blouses. How many blouses of each type are there?

Please do not write in this space.

Ans: _____ Type A blouses
_____ Type B blouses (3)



24. A box contained 42 oranges and some kiwi fruits. $\frac{1}{3}$ of the oranges and $\frac{2}{5}$ of the kiwi fruits were sold. If the number of kiwi fruits left was 105, how many fruits were sold altogether?

Please do not write in this space.

Ans: _____ (3)



25. A group of Chinese, Malays and Indians took part in a survey. $\frac{1}{4}$ of them were Malays. $\frac{5}{12}$ of them were Chinese and the remaining 68 people were Indians.

- a) How many people took part in the survey?
- b) Express the number of Indians as a fraction of the number of Chinese.

Please do not write in this space.

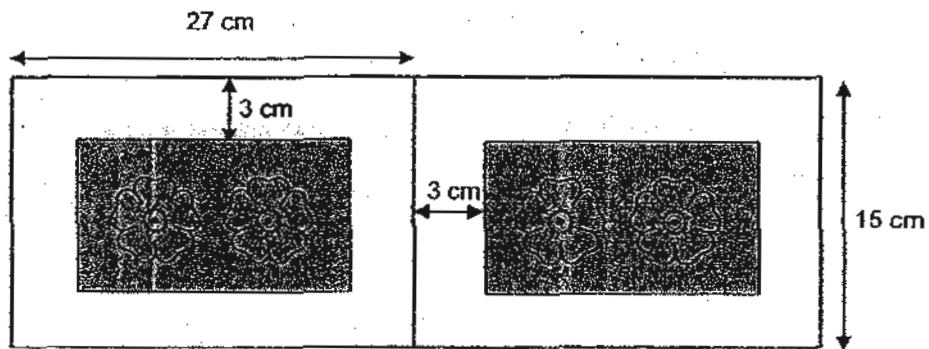
Ans: a) _____ (3)

b) _____ (1)



26. The figure below shows two identical rectangular photograph frames each with a 3-cm wide border around it.

Find the total area of the two photographs.

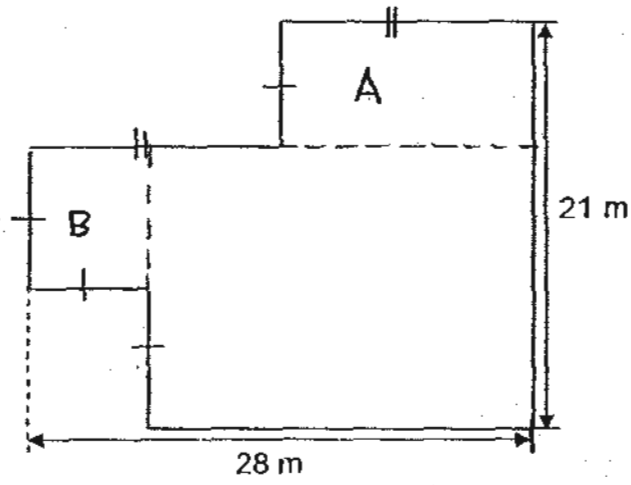


Please do not write in this space.

Ans: _____ (4)



27. The figure below shows the layout of a living room. Find the area of the living room. (All the lines meet at right angles.)



Please do
not write in
this space.

Ans: _____ (4)



28. Amelia spent $\frac{3}{10}$ of her money on a dress and half of the amount she spent on the dress on a pair of shoes. Then she spent the rest of her money on 2 sets of books. If each set of books cost \$33, how much did

Please do not write in this space.

Ans: _____ (4)



ANSWER SHEET

EXAM PAPER 2010

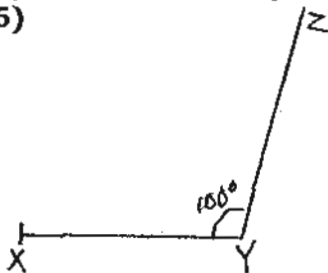
SCHOOL : CHIJ ST NICHOLAS GIRLS' SCHOOL
 SUBJECT : PRIMARY 4 MATHEMATICS

TERM : CONTINUAL ASSESSMENT 2

Q1	Q2	Q3	Q4	Q5	Q6	Q7	Q8	Q9	Q10	Q11	Q12	Q13	Q14	Q15	Q16
2	4	3	2	4	3	1	4	3	1	2	2	4	4	2	2

Section B

- Q1) 22180 Q2) 7910 Q3) 77600
 Q4) 4 boxes of mangoes and 3 baskets durians Q5) 25980 Q6) 172
 Q7) 63 Q8) Monday Q9) Tuesday to Wednesday Q10) \$1860
 Q11) 26 pupils Q12) 17 balloons Q13) 2 pairs Q14) 16° Q15) 70°
 Q16)



- Q17) 44cm Q18) 52m² Q19) 0.065, 0.250, 0.370, 0.520 Q20) 31.74

Q21) $6u \rightarrow \$15 \times 6 = \90
 Total $\rightarrow \$90 + \$1099 + \$699$
 $= \$1888$
 \$1888 is rounded off to \$1890

She paid \$1890 in all.

Q23) Assuming all are Type B $\rightarrow 5 \times 42 = 210$
 (Type A) Difference $\rightarrow 210 - 193 = 17$
 No. of Type A $\rightarrow 17 \div (5 - 4) = 17$
 No. of Type B $\rightarrow 42 - 17 = 25$

There are 17 blouses of Type A and 25 blouses of Type B.

Q22) (pattern) Total $\rightarrow 7 + 6 + 5 + 4 + 3 + 2 + 1 = 28$

28 games were scheduled for the tournament.

Q24) $42 \div \frac{1}{3} = 14$ (oranges)
 3 units $\rightarrow 105$ (kiwi left)
 1 unit $\rightarrow 35$
 2 units $\rightarrow 35 \times 2 = 70$

There were 84 fruits sold altogether.

<p>Q25a) $1/4 = 3/12$ Total $\rightarrow 1 - 5/12 - 3/12$ $= 1 - 8/12$ $= 4/12$ 1 unit $\rightarrow 68 \div 4 = 17$ 12 units $\rightarrow 17 \times 12$ $= 204$ 204 people took part in the survey. b) Indians $\rightarrow 68$ Chinese $\rightarrow 17 \times 5$ $= 85$ Fraction $\rightarrow 68/85$ The fraction is 68/85.</p>	<p>Q26) Breadth of photographs $\rightarrow 15 - 6 = 9$ Length of photographs $\rightarrow 27 - 6 = 21$ Area \rightarrow Length \times Breadth $= 21 \times 9$ $= 189$ Total area $\rightarrow 189 \times 2 = 378$ The total area of two photographs is 378cm².</p>
<p>Q27) A $\rightarrow 28m \div 2 = 14m$ Area of A $\rightarrow 14m \times 21m$ $= 294m^2$ C $\rightarrow 21 \div 3 = 7m$ Area of C $\rightarrow 14m \times 7m = 98m^2$ Area of B $\rightarrow 7m \times 7m = 49m^2$ Total $\rightarrow 294m^2 + 98m^2 + 49m^2$ $= 441m^2$ The area is 441m².</p>	<p>Q28) 1 set $\rightarrow 33$ 2 sets $\rightarrow 66$ 11 units $\rightarrow 66$ 1 unit $\rightarrow 6$ 3 units $\rightarrow 18$ Amelia spent \$18 on the pair of shoes.</p>